

US PRODUCT SHEET

OSLO L1P

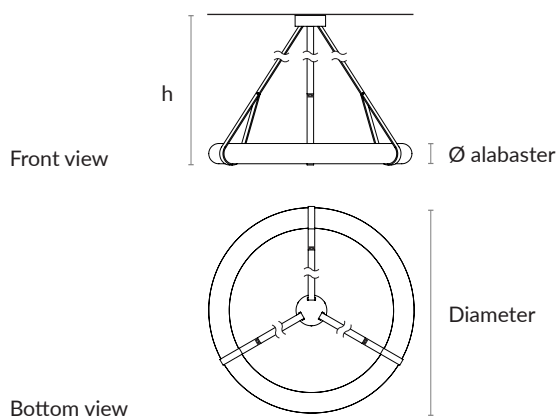


AAE OSLO L1P US PS Non contractual picture



atelier.
Alain Ellouz

| | | |
|--------------------------------|---|--|
| Type | Pendant light | |
| Environment | Indoor | |
| Material | Alabaster | |
| Suspension system | 3 leather straps | |
| | Overall drop of the lighting fixture (distance between the ceiling and the lowest part of the fixture) to be specified. Height included in standard price : 39,4". Additional length to order (Price upon request). | |
| Lighting system | LED Strip 9,6 W/m - Dimmable intensity and color (2700K or 3000K) - Remoted transformer | |
| Lighting control system | To be chosen according to project | |
| Wattage | OSLO L1P 060 : 22 W OSLO L1P 100 : 36 W OSLO L1P 080 : 29 W OSLO L1P 120 : 44 W OSLO L1P 090 : 32 W OSLO L1P 150 : 54 W | |
| Voltage | 24 V : transformer provided | |
| Luminous flux | Source : OSLO L1P 060 : 1330 lm OSLO L1P 100 : 2240 lm OSLO L1P 080 : 1750 lm OSLO L1P 120 : 2660 lm OSLO L1P 090 : 1960 lm OSLO L1P 150 : 3290 lm The alabaster diffuses between 40 and 60% of the light source lumens | |
| Weight | OSLO L1P 060 : Approx. 38,58 lb OSLO L1P 100 : Approx. 66,14 lb OSLO L1P 080 : Approx. 48,5 lb OSLO L1P 120 : Approx. 88,18 lb OSLO L1P 090 : Approx. 56,22 lb OSLO L1P 150 : Approx. 121,25 lb | |



| OSLO | Diameter | h minimum | Ø alabaster |
|---------|----------|-----------|-------------|
| L1P 060 | 23,6" | 17" | 3,9" |
| L1P 080 | 31,5" | 19,3" | 3,9" |
| L1P 090 | 35,4" | 20" | 3,9" |
| L1P 100 | 39,3" | 21,3" | 3,9" |
| L1P 120 | 47,2" | 22,8" | 4,7" |
| L1P 150 | 59" | 29,1" | 4,7" |

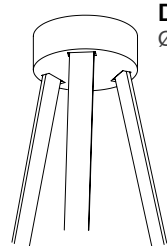
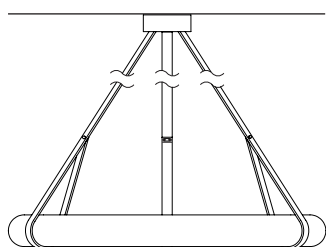
OSLO L1P[®]
DESIGN BY ATELIER ALAIN ELLOUZ
MADE IN FRANCE

References OSLO L1P 060 : COL-0191 OSLO L1P 100 : COL-0185
OSLO L1P 080 : COL-0193 OSLO L1P 120 : COL-0187
OSLO L1P 090 : COL-0195 OSLO L1P 150 : COL-0189

Warranty 2 years warranty. General terms and conditions of sale.

FIXING SYSTEM AND FINISH

• CENTRAL FIXING PLATES



Dimensions :
Ø5,9 x h.2"

Loop height : 15,7" (For h. < 19,7", loop height : 9,8")

Paint finish :



Mat white
ref : dcl-012



Mat black
ref : dcl-022



Grey
ref : dcl-118



Navy blue
ref : dcl-014



Brown
ref : dcl-017



Camel
ref : dcl-018



Beige
ref : dcl-119



Bronze
ref : dcl-016

Metal plating finish* :



Antique brass
ref : dcl-005

*Price upon request

STANDARD LEATHER FINISH



Mat black
ref : dcl-120



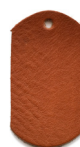
Grey
ref : dcl-121



Navy blue
ref : dcl-122



Brown
ref : dcl-123



Camel
ref : dcl-124



Beige
ref : dcl-125

LIGHTING CONTROL SYSTEM

To be chosen according to project : DMX, DALI (DT8), TRIAC (phase dimming, setting knobs to choose the light temperature), 1-10V (two 1-10V bus required), NONE (setting knob to choose and fix the light intensity and temperature).

For a correct functioning the remote transformer / driver must be placed in an accessible place at maximum 33' from the light fixture.

Please contact us for any request of custom finish or custom-made ceiling plate